

## Product Description

The type PC46 is an aluminium single point load cell with an improved potting.

## Application

- Bench and floor scales, conveyor scales and medical scales

## Key Features

- Capacities from 50 kg to 250 kg
- Aluminium construction
- Environmental Protection IP67
- Maximum platform size up to 400 x 400 mm

## Approvals

- OIML approval to C3 (Y = 7 500) and C4 (Y = 12 500, 250 kg only)
- ATEX hazardous area approval for Zone 0, 1, 2, 20, 21 and 22
- FM hazardous area approval

## Options

- Y = 15 000 for C3
- Y = 25 000 for C4 (250 kg only)

## Packed Weight

- 0.8 kg

## Available Accessories

- Compatible range of electronics

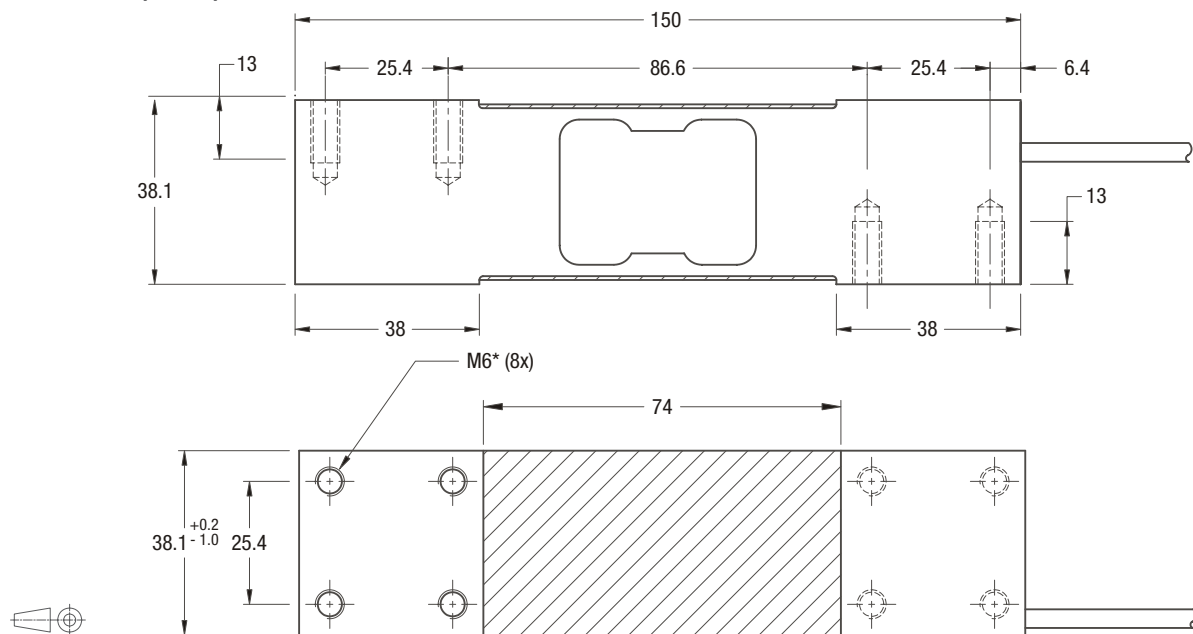
## Specifications

		(E <sub>max</sub> )	kg	50 / 100 / 150 / 200 / 250	250
Maximum capacity				(GP)	C3
Accuracy class according to OIML R60				n.a.	C4
Maximum number of verification intervals		(n <sub>LC</sub> )		n.a.	3000
Minimum load cell verification interval		(v <sub>min</sub> )		n.a.	E <sub>max</sub> /7 500
Temperature effect on minimum dead load output		(TC <sub>0</sub> )	%*RO/10°C	≤ ± 0.0400	≤ ± 0.0187
Temperature effect on sensitivity		(TC <sub>RO</sub> )	%*RO/10°C	≤ ± 0.0200	≤ ± 0.0100
Combined error			%*RO	≤ ± 0.0500	≤ ± 0.0200
Non-linearity			%*RO	≤ ± 0.0400	≤ ± 0.0166
Hysteresis			%*RO	≤ ± 0.0400	≤ ± 0.0166
Creep error (30 minutes) / DR			%*RO	≤ ± 0.0600	≤ ± 0.0166
Option	Min. load cell verification interval	(v <sub>min opt</sub> )		n.a.	E <sub>max</sub> /15 000
	Temp. effect on min. dead load output	(TC <sub>0 opt</sub> )	%*RO/10°C	n.a.	≤ ± 0.0093
Rated Output		(RO)	mV/V	2 ± 10%	
Zero balance			%*RO	≤ ± 5	
Excitation voltage			V	5...15	
Input resistance		(R <sub>LC</sub> )	Ω	413 ± 20	
Output resistance		(R <sub>out</sub> )	Ω	350 ± 25	
Insulation resistance (100 V DC)			MΩ	≥ 5000	
Safe load limit		(E <sub>lim</sub> )	%*E <sub>max</sub>	150	
Ultimate load			%*E <sub>max</sub>	300	
Safe side load			%*E <sub>max</sub>	100	
Maximum platform size; loading acc. to OIML R76			mm	400 x 400	
Maximum off centre distance at maximum capacity			mm	150	
Compensated temperature range			°C	-10...+40	
Operating temperature range			°C	-20...+65 (ATEX -20...+60)	
Load cell material				aluminium	
Sealing				potted	
Protection according EN 60 529				IP67	

The limits for Non-Linearity, Hysteresis, and TC<sub>RO</sub> are typical values.

The sum of Non-linearity, Hysteresis and TC<sub>RO</sub> meets the requirements according to OIML R60 with p<sub>LC</sub>=0.7.

## Dimensions (in mm)



Mounting bolts M6 8.8; torque 10 Nm. Torque value assumes oiled threads.

\* Unified thread 1/4-20 UNC is available.

## Wiring

- The load cell is provided with a shielded, 6 conductor cable (AWG 26). Cable jacket polyurethane
- Cable length: 3 m
- Cable diameter: 5.8 mm
- The shield is connected to the load cell body

