

Type UB1 Load Cell



Tension Load Cells

Flintec load cells are designed to meet the most stringent accuracy requirements. Certifications have been obtained from Weights & Measures Authorities, worldwide.

UB1 universal load cells are available in the capacities 10 kN to 50 kN (1020 kg to 5099 kg) and include Accuracy Classifications GP, C1 and C3 according to OIML R 60. Approved for tension loading only.

Tension and/or compression loading possible.

They offer total stainless steel construction and complete hermetic sealing, making them suitable for use in the toughest industrial environments.

The UB1 is available for use in hazardous areas zone 0, 1, 2 (gas) and 20, 21, 22 (dust) according to EEx ia IIC T6...T4 T130°C ATEX.

Important Features

- Capacities: 10 kN to 50 kN.
- High accuracy.
- Total stainless steel construction.
- Complete hermetic sealing.
- Protection IP 68.
- High input resistance: 1100 Ω.
- W&M certified for 3000 intervals (SP: No 0402-MVm002).
- Easy cable replacement.
- Complete range of loading hardware available.
- Factory Mutual approved.

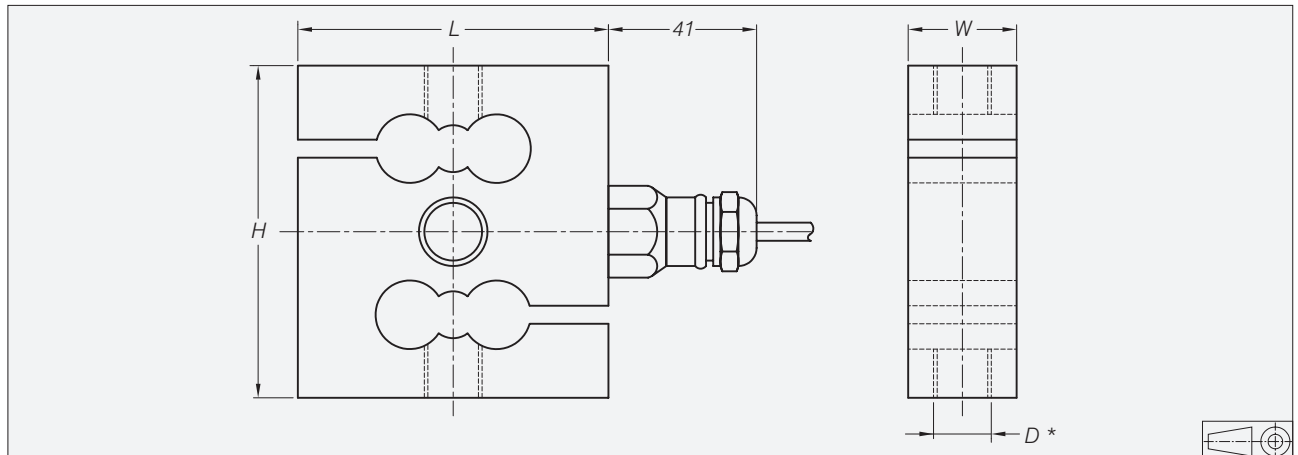
Option

- Explosion protection zone 0, 1, 2 and 20, 21, 22 ATEX.

UB1 Specifications (Tension or compression loading possible)

Maximum capacity	(E_{max})	kN	10 / 20 / 50	
Metric equivalents (1 N=0.10197 kg)		kg	1020 / 2039 / 5099	
Rated Output	(Cn)	mV/V	2 ± 0.1%	
Accuracy class according to OIML R 60		(GP)	C1	C3
Maximum number of verification intervals	(n_{max})		1000	3000
Minimum load cell verification interval	(v_{min})		$E_{max} / 5000$	$E_{max} / 5700$
Combined error	%Cn	≤ ± 0.040	≤ ± 0.030	≤ ± 0.020
Creep error (30 minutes) / DR	%Cn	≤ ± 0.060	≤ ± 0.049	≤ ± 0.016
Temperature effect on minimum dead load output	%Cn/°C	≤ ± 0.0040	≤ ± 0.0028	≤ ± 0.0024
Temperature effect on sensitivity	%/°C	≤ ± 0.0020	≤ ± 0.0016	≤ ± 0.0011
Excitation voltage	V		5...15	
Zero balance	%Cn		≤ ± 5	
Input resistance	Ω		1100 ± 50	
Output resistance	Ω		1000 ± 2	
Insulation resistance (100 V DC)	MΩ		≥ 5000	
Compensated temperature range	°C		-10...+40	
Operating temperature range	°C		-40...+80	
Safe load limit	(E_{lim})	% E_{max}	200	
Ultimate load		% E_{max}	300	
Load cell material			stainless steel 17-4 PH (1.4548)	
Sealing			complete hermetic sealing; cable entry sealed by glass to metal header	
Protection according DIN 40.050			IP 68	

Dimensions



Type	H	L	W	Thread D
UB1-10k N/20 kN	92	86	30	M16
UB1-50 kN	136	143	43	M24x2

All dimensions in mm. Dimensions and specifications are subject to change without notice.

* Unified thread 5/8-18 UNF (10...20 kN) and 1-12 UNF (50 kN) is available.

Wiring

- The load cell is provided with a shielded, 4 conductor cable (AWG 24). Cable jacket polyurethane.
- Cable length: 6 m.
- Cable diameter: 5 mm.
- The shield is floating (On request the shield can be connected to the load cell body).

